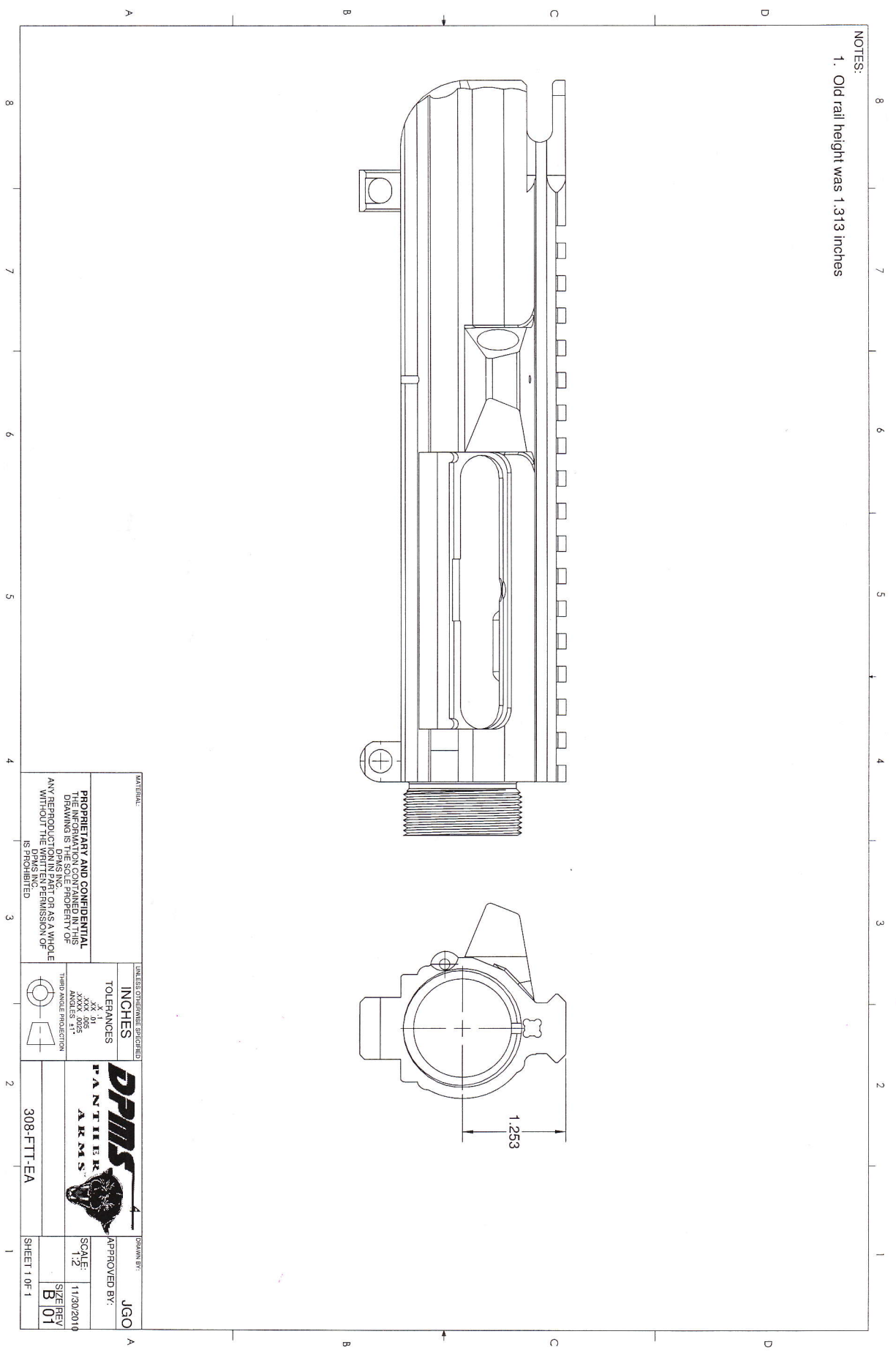
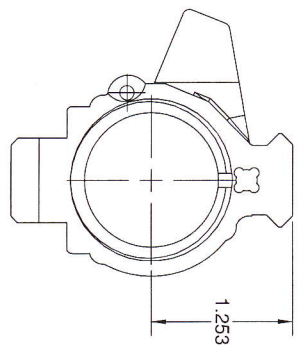
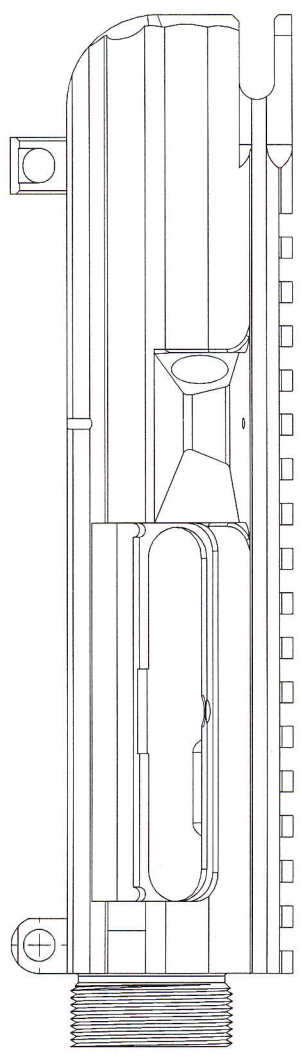


NOTES:
 1. Old rail height was 1.313 inches



MATERIAL: UNLESS OTHERWISE SPECIFIED TOLERANCES IN INCHES XX .01 XXX .005 XXXX .0025 ANGLES 1:1 DIMENSIONS NOT OR AS A WHOLE ANY REPRODUCTION OF THIS DRAWING IS THE SOLE PROPERTY OF DPMS INC. WITHOUT THE WRITTEN PERMISSION OF DPMS INC. IS PROHIBITED		DRAWN BY: JGO APPROVED BY: JGO SCALE: 1:2 DATE: 11/20/2010 SHEET 1 OF 1	
PROPRIETARY AND CONFIDENTIAL INFORMATION CONTAINED HEREIN IS THE SOLE PROPERTY OF DPMS INC. WITHOUT THE WRITTEN PERMISSION OF DPMS INC. IS PROHIBITED		DPMS PANTHER ARMS	
308-FTT-EA		SHEET 1 OF 1	